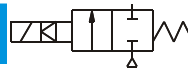


1.2-2 Elektromagnetické ventily dvojcestné nepriamoovládané 2-way solenoid valves pilot operated



v základnej polohe uzatvorené
normally closed



Médium

- neagresívne plyny (vzduch)
- kvapaliny (voda, oleje...)

Použité materiály

- tesnenie - NBR, EPDM
- teleso - mosadz
- vnútorné časti - koróziívzdorná oceľ, mosadz

Elektrické údaje

- štandardné napätie - 230V AC; 24V DC
- krytie - IP 65
- zaťaženie trvalé

Poloha

- ľubovoľná

Teplota okolia

- -10 °C až +50 °C

Zvláštne vyhotovenie

- ručné ovládanie
- teleso chemicky niklované

Medium

- neutral gases (air)
- liquids (water, oil...)

Materials

- seal - NBR, EPDM
- body - brass
- internal parts - stainless steel, brass

Electric data

- standard voltage - 230 V AC ; 24 V DC
- enclosure - IP 65
- duty rating 100 %

Mounting position

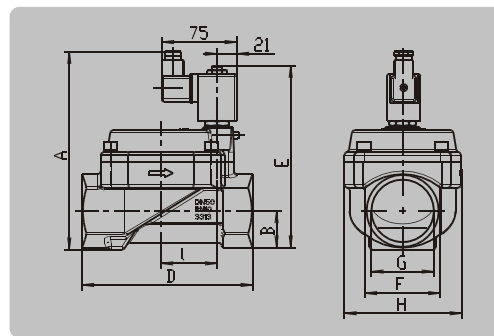
- optional

Ambient temperature

- -10 °C to +50 °C

Optional features

- manual override
- body chemically nickel-plated



| Type \\ Type \\ | Vyhotovenie \\ Version \\ | Pripojenie \\ Connection \\ | Svetlosť \\ Diameter \\ | Pracovný tlak * \\ Operating pressure \\ | | Prietok \\ Flow factor \\ | Teplota média \\ Fluid temperature \\ | Tesnenie \\ Seal \\ | Napätie \\ Voltage \\ | Príkion \\ Power consumption \\ | Hmotnosť \\ Weight \\ | | |
|--------------------|------------------------------|--------------------------------|----------------------------|---|------------|------------------------------|--|------------------------|--------------------------|------------------------------------|--------------------------|------|------------|
| | | | | min. [MPa] | max. [MPa] | | | | | | | | |
| 2VE10DA | N1 | G3/8 | 10 | 0,03 | 1,6 | 1.6 | 90 | NBR | AC/DC | 18VA / 13W | 0.7 | | |
| | E2 | | | 0,03 | 1,6 | | 110 | | | | | EPDM | 15VA |
| | E3 | | | 0,03 | 1,0 | | 130 | | | | | | 12VA / 10W |
| 2VE12DA | N1 | G1/2 | 12 | 0,03 | 1,6 | 2.2 | 90 | NBR | AC/DC | 18VA / 13W | 0.7 | | |
| | E2 | | | 0,03 | 1,6 | | 110 | | | | | EPDM | 15VA |
| | E3 | | | 0,03 | 1,0 | | 130 | | | | | | 12VA / 10W |
| 2VE13DA | N1 | G1/2 | 13 | 0,03 | 1,6 | 3 | 90 | NBR | AC/DC | 18VA / 13W | 1.1 | | |
| | E2 | | | 0,03 | 1,6 | | 110 | | | | | EPDM | 15VA |
| | E3 | | | 0,03 | 1,0 | | 130 | | | | | | 12VA / 10W |
| 2VE16DA | N1 | G3/4 | 16 | 0,03 | 1,6 | 3.6 | 90 | NBR | AC/DC | 18VA / 13W | 1.0 | | |
| | E2 | | | 0,03 | 1,6 | | 110 | | | | | EPDM | 15VA |
| | E3 | | | 0,03 | 1,0 | | 130 | | | | | | 12VA / 10W |
| 2VE25DA | N1 | G1 | 25 | 0,03 | 1,6 | 8.5 | 90 | NBR | AC/DC | 18VA / 13W | 1.8 | | |
| | E2 | | | 0,03 | 1,6 | | 110 | | | | | EPDM | 15VA |
| | E3 | | | 0,03 | 1,0 | | 130 | | | | | | 12VA / 10W |
| 2VE32DA | N2 | G1 1/4 | 32 | 0,03 | 1,0 | 17.5 | 90 | NBR | AC/DC | 15VA | 3.6 | | |
| | E2 | | | | | | 110 | | | EPDM | | 10W | |
| 2VE40DA | N2 | G1 1/2 | 40 | 0,03 | 1,0 | 18.5 | 90 | NBR | AC/DC | 15VA | 3.2 | | |
| | E2 | | | | | | 110 | | | EPDM | | 10W | |
| 2VE50DA | N1 | G2 | 50 | 0,03 | 1,0 | 38 | 90 | NBR | AC/DC | 18VA | 5.0 | | |
| | E1 | | | | | | 110 | | | EPDM | | 13W | |

* Pozn.: Minimálny diferenčný tlak na ventile 0,03MPa / Note: Differential pressure on valves 0,03MPa required

| Type \\ Type \\ | Rozmery / Dimensions [mm] | | | | | | | |
|--------------------|---------------------------|-----|----|-----|-----|----|-----|----|
| | G | A | B | D | E | F | H | I |
| 2VE10DA | G 3/8 | 124 | 12 | 60 | 105 | 24 | 38 | 0 |
| 2VE12DA | G 1/2 | 124 | 12 | 60 | 105 | 24 | 38 | 0 |
| 2VE13DA | G 1/2 | 133 | 16 | 84 | 114 | 32 | 56 | 24 |
| 2VE16DA | G 3/4 | 133 | 16 | 84 | 114 | 32 | 56 | 24 |
| 2VE25DA | G 1 | 146 | 18 | 112 | 127 | 41 | 70 | 31 |
| 2VE32DA | G 1 1/4 | 177 | 22 | 140 | 158 | 60 | 96 | 41 |
| 2VE40DA | G 1 1/2 | 177 | 22 | 140 | 158 | 60 | 96 | 41 |
| 2VE50DA | G 2 | 198 | 35 | 163 | 179 | 72 | 112 | 55 |

MAHRLO s.r.o.

Ľudmily Podjavorinskej 535/11
916 01 Stará Turá

tel.: +421 32 776 03 62

fax: +421 32 776 21 56

e-mail: meracia@mahrlo.sk