



PREVIEW 5725 Programovateľný ukazovací prístroj

Meranie frekvencie

PROGRAMMABLE FREQUENCY INDICATOR



- Frequencies from 0.001 Hz to 50 kHz
- Input for various sensors; NPN, PNP, Contact, Namur, S0, Tacho and TTL
- 2 SPDT relays and analogue output
- 4-digit, 14-segment easily readable LED display
- Universal supply voltage

Application:

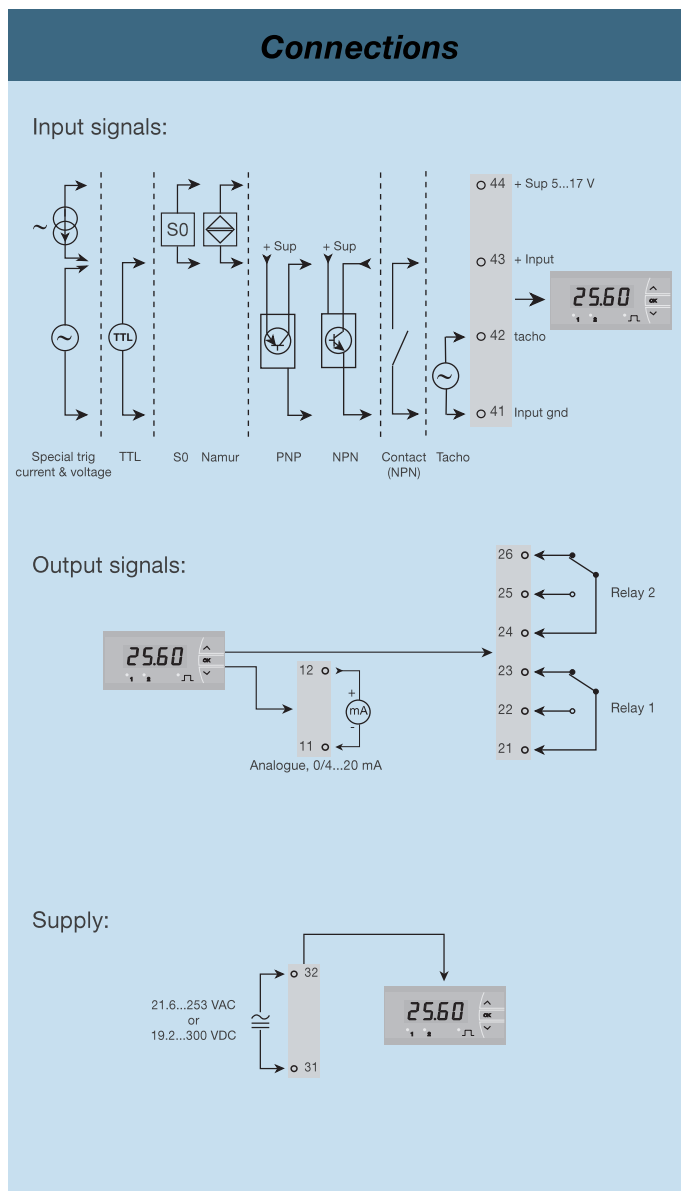
- 5725 is a digital indicator for readout of frequency signals and pulse signals.
- Typical applications are indication and conversion of process speed measurements and flow rate.
- The indicator can also be used for measuring the passing time on e.g. a conveyor line, as the 5725 can handle period time measurements.
- Process control is possible as the type 5725D contains 2 pairs of potential-free change-over relays and an analogue output.
- The display offers IP65 protection from the front and the splash-proof cover - PR type 8335 - can be used against atmospheres and liquids.

Technical characteristics:

- 4-digit LED indication with 13.8 mm 14-segment characters for a -1999...9999 display readout with programmable decimal point.
- Relay ON / OFF indication via front LED's.
- Various input sensor types and custom current and voltage trig levels can be selected via the programming menu.
- Input and supply of NPN and PNP proximity switches is possible from the input terminals.
- A menu item allows the user to minimise the installation test time for the relay outputs by activating or deactivating each relay independently of the input signal.

Mounting / installation / programming:

- Panel mounted indicator, 48x96mm which obtains IP65 (type 4X) when using the rubber gasket provided.
- All standard operational parameters can be adjusted to any application by way of the front function keys.
- Help texts in eight different languages are available and can be selected via a menu item.



Distributor Slovakia: MaRweb.sk www.marweb.sk

MAHRLO s.r.o.

Ludmily Podjavorinskej 535/11
916 01 Stará Turá

mob.: +421 908 170 313
tel.: +421 32 776 03 62
fax: +421 32 776 21 56

web: www.marweb.sk
e-mail: slecka@mahrlo.sk
e-shop: www.marweb.sk



Order codes for 5725:

Type	Version
5725A	Standard
5725D	Analogue output and 2 relays

Environmental conditions:

Specifications range -20°C to +60°C
 Storage temperature -40°C to +85°C
 Calibration temperature..... 20...28°C
 Relative humidity < 95% RH (non-cond.)
 Protection degree IP20
 Installation in pollution degree 2 & overvoltage category II.

Mechanical specifications:

Dimensions (H x W x D)..... 48 x 96 x 120 mm
 Cutout dimensions 44.5 x 91.5 mm
 Protection degree (mounted in panel) IP65 / Type 4X, UL50E
 Weight 230 g
 Wire size, pin 11-12 & 41-44, max 1 x 1.5 mm²/
 AWG 30...16 stranded wire
 Wire size, others, max 1 x 2.5 mm²/
 AWG 30...12 stranded wire
 Terminal connection Spring-cage

Common electrical specifications:

Supply voltage, universal 21.6...253 VAC, 50...60 Hz
 or 19.2...300 VDC
 Max consumption, 5725A / 5725D..... 2.8 W / 3.6 W
 Isolation voltage, test / operation..... 2.3 kVAC / 250 VAC
 Signal / noise ratio..... > 60 dB

Input specifications:

Frequency range, F/I conversion function... 0.001 Hz to 50 kHz
 Time range, Period time function 999.9 sec to 20 µsec
 Response time (0...90%, 100...10%)..... < 1 period + 100 msec
 Low cut off frequency..... 0.0009 Hz
 Low cut off period time 1111 sec
 Max. frequency, with input filter ON 50 Hz

Accuracy values

Specification	Absolute accuracy	Temperature coefficient
Input to Display & Relays	≤ ±0.05%	≤ ±0.01% / °C
Input to Analogue Output	≤ ±0.1%	

EMC immunity influence < ±0.5% of span
 Extended EMC immunity:
 NAMUR NE 21, A criterion, burst..... < ±1% of span

Input types:

NAMUR input - acc. to EN 60947-5-6:

Trig-level LOW ≤ 1.2 mA
 Trig-level HIGH ≥ 2.1 mA
 Input impedance 1 kΩ / ≤ 1.5 nF
 Breakage detection ≤ 0.1 mA
 Short-circuit detection..... ≥ 6.9 mA
 Sensor supply - pin 44, fixed 8.3 V

Tacho input:

Trig-level LOW ≤ - 50 mV
 Trig-level HIGH ≥ + 50 mV
 Input impedance ≥ 100 kΩ / ≤ 1.5 nF
 Max. input voltage..... 80 VAC pp
 Sensor supply - pin 44, programmable ... 5 -17 V / 20 mA

NPN / PNP input:

Trig-level LOW ≤ 4.0 V
 Trig-level HIGH ≥ 7.0 V
 Input impedance 3.48 kΩ / ≤ 1.5 nF
 Sensor supply - pin 44, programmable ... 5 -17 V / 20 mA

Accessories:

8335 = Splash proof front

Input types:

TTL input:

Trig-level LOW ≤ 0.8 VDC
 Trig-level HIGH ≥ 2.0 VDC
 Input impedance ≥ 100 kΩ / ≤ 1.5 nF
 Sensor supply - pin 44, programmable ... 5 -17 V / 20 mA

S0 input acc. to DIN 43864:

Trig-level LOW ≤ 2.2 mA
 Trig-level HIGH ≥ 9.0 mA
 Input impedance 758 Ω / ≤ 1.5 nF
 Sensor supply - pin 44, fixed 17 V

Special voltage input:

User programmable trig-levels -0.05...6.50 V
 Hysteresis, min 50 mV
 Input impedance, selectable:
 High Z ≥ 100 kΩ / ≤ 1.5 nF
 Pull up and pull down 3.48 kΩ / ≤ 1.5 nF
 Sensor supply - pin 44, programmable... 5 -17 V / 20 mA

Special current input:

User programmable trig-levels 0.0...10.0 mA
 Hysteresis, min 0.2 mA
 Input impedance 1 kΩ / ≤ 1.5 nF
 Sensor supply - pin 44, programmable ... 5 -17 V / 20 mA

Display:

Display readout -1999...9999 (4 digits)
 Decimal point Programmable
 Digit height 13.8 mm
 Display updating..... 2.2 times / sec.
 Input frequency outside range &
 Namur input sensor error is indicated by Explanatory text

Current output (5725D):

Programmable signal ranges..... 0...20, 4...20 &
 20...0, 20...4 mA
 Load (max.)..... 20 mA / 800 Ω / 16 VDC
 Current limit ≤ 28 mA
 Load stability ≤ 0.01% of span / 100 Ω
 Programmable response time 0.0...60.0 sec
 Sensor error indication, at Namur input:
 selectable 0 / 3.5 / 23 mA / none
 Output limitation at outside range:
 on 4...20 and 20...4 mA signals..... 3.8...20.5 mA
 on 0...20 and 20...0 mA signals..... 0...20.5 mA

Relay outputs (5725D):

Relay function..... Setpoint
 Hysteresis, in % / display counts 0.1...100% / 1...9999
 On and Off delay 0...3600 sec
 Power On delay 0...60 sec
 Sensor error action..... Make / Break / Hold
 Max. voltage 250 VRMS
 Max. current 2 A / AC
 Max. AC power..... 500 VA
 Max. current at 24 VDC 1 A

Approvals:

EMC 2004/108/EC EN 61326-1
 LVD 2006/95/EC EN 61010-1
 UL, Standard for Safety..... UL 61010-1
 GOST R

Distributor Slovakia: MaRweb.sk www.marweb.sk

MAHRLO s.r.o.

Ľudmily Podjavoriskej 535/11
 916 01 Stará Turá

mob.: +421 908 170 313
 tel.: +421 32 776 03 62
 fax: +421 32 776 21 56

web: www.marweb.sk
 e-mail: slecka@mahrlo.sk
 e-shop: www.marweb.sk



PREVIEW 5725

Programovatelný pulsní převodník a zobrazovač otáček

- Čtyřmístný červený LED displej, výška znaku 13,8 mm.
- Vstup: impulsní signál 0,001 až 50 kHz.
- Dvě relé a analogový výstup.
- Maximální zatížení relé 250 V_{ST} / 2 A.
- Univerzální napájecí napětí 21,6 až 253 V_{ST} / 19,2 až 300 V_{SS}.
- Úplné programování z čelního panelu.
- Rozměr 48x96x120 mm.
- Stupeň krytí IP 65 z čelní strany.
- Pro montáž do panelu.
- 5 let záruka.



Typ	Popis	Cena
PREVIEW 5725	Programovatelný pulsní převodník a zobrazovač otáček	NAB
Kód	Provedení	
A	standard	
D	analogový výstup + 2 relé	
Kód	Volitelné příslušenství	
8335	kryt čelního panelu proti stříkající vodě (IP 67)	
8501 A	kryt odolný proti agresivnímu prostředí (IP 65), montáž na stěnu, 1 kabelová vývodka	
8501 B	kryt odolný proti agresivnímu prostředí (IP 65), montáž na stěnu, 2 kabelové vývodky	
8501 C	kryt odolný proti agresivnímu prostředí (IP 65), montáž na stěnu, 3 kabelové vývodky	
8501 D	kryt odolný proti agresivnímu prostředí (IP 65), montáž na stěnu, 4 kabelové vývodky	
Příklad objednávky: PREVIEW 5725 D		Záruka 5 let.

NAB ... cena na dotaz nabídkou

Distributor Slovakia: MaRweb.sk www.marweb.sk

MAHRLO s.r.o.
Ľudmily Podjavorinskej 535/11
916 01 Stará Turá

mob.: +421 908 170 313
tel.: +421 32 776 03 62
fax: +421 32 776 21 56

web: www.marweb.sk
e-mail: slecka@mahrlo.sk
e-shop: www.marweb.sk