



VEGABAR 83



Pressure transmitter with metallic measuring cell

Application area

The VEGABAR 83 is a pressure transmitter for pressure measurement of gases, vapours and liquids in all industries. The VEGABAR 83 offers special advantages in applications with high pressures.

Your benefit

- Universal use due to completely welded measuring cell
- High reliability through vacuum resistant version
- Maximum dependability and safety through proven technology

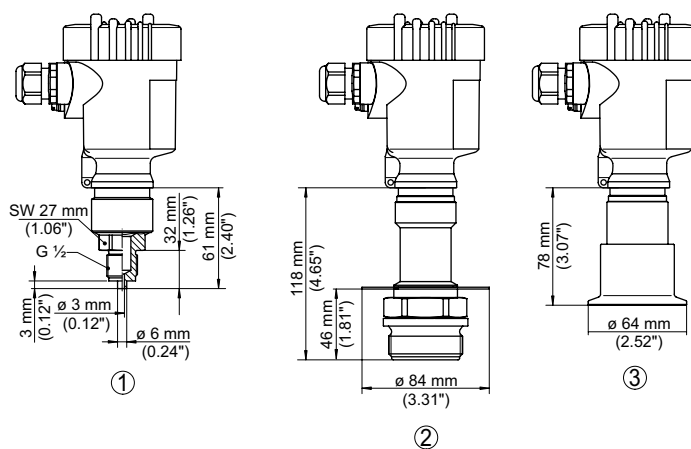
Technical data

Measuring cell:	piezoresistive/thin film strain gauge/METEC®
Meas. range:	-1 ... +1000 bar (-100 ... +100000 kPa)
Process fitting:	thread from G½, ½ NPT flanges from DN 25 hygienic fittings
Process temperature:	-40 ... +200 °C
Accuracy class:	0.2 %; 0.1 %; 0.075 %



Process pressure – VEGABAR 83

Successor type for VEGABAR 53 and 55



- 1 Threaded version G½, manometer connection EN 837
- 2 Threaded version, front-flush with shroud
- 3 Clamp version

