



## VEGABAR 81

### Pressure transmitter with chemical seal

#### Application area

The VEGABAR 81 is a pressure transmitter with chemical seal for pressure and level measurement. The chemical seal systems of VEGABAR 81 adapted to the process, ensure a reliable measurement even with highly corrosive and hot products.

#### Your benefit

- Simple adaptation thanks to various configuration options
- Reliable measurement with temperatures up to 400 °C
- Reliable measurement independent of foam generation or tank installations

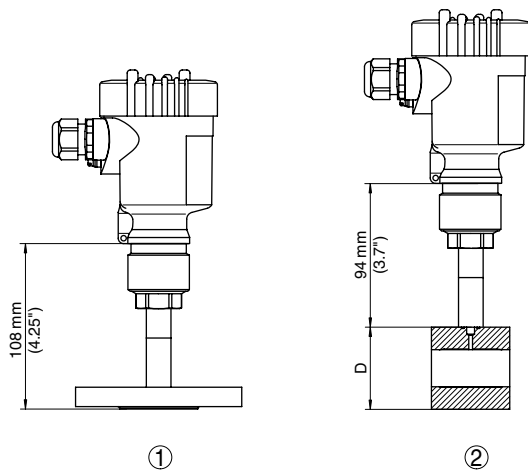
#### Technical data

Measuring cell:	chemical seal system
Measuring range:	-1 ... +1000 bar (-100 ... +100000 kPa)
Process fitting:	thread from G $\frac{1}{2}$ , $\frac{1}{2}$ NPT flanges from DN 25, 1" hygienic fittings
Process temperature:	-90 ... +400 °C
Accuracy class:	0.2 %



Process pressure – VEGABAR 81

### Successor type for VEGABAR 51



- 1 Flange version +150 °C
- 2 Version with tube isolating diaphragm +150 °C

