



## VEGAPULS 64

4 ... 20 mA/HART - two-wire

Radar sensor for continuous level measurement of liquids



### Technical data

Measuring range up to	30 m (98.43 ft)
Deviation	±2 mm
Process fitting	Thread from G $\frac{3}{4}$ , $\frac{3}{4}$ NPT, flanges from DN 50, 2", mounting strap, adapter flanges from DN 100, 4"
Process pressure	-1 ... 20 bar (-100 ... 2000 kPa/-14.5 ... 290.1 psig)
Process temperature	-40 ... +200 °C (-40 ... +392 °F)
Ambient, storage and transport temperature	-40 ... +80 °C (-40 ... +176 °F)
Operating voltage	12 ... 35 V DC

### Materials

The wetted parts of the instrument are made of 316L, PP, PTFE or PEEK. The process seal is made of FKM, FFKM, EPDM or PTFE. You will find a complete overview of the available materials and seals in the "Configurator" at [www.vega.com](http://www.vega.com) and "VEGA Tools".

### Housing versions

The housings are available as single chamber or double chamber version in plastic, stainless steel or aluminium. They are available with protection ratings up to IP 68 (1 bar).

### Electronics versions

The instrument is available with electronics 4 ... 20 mA/HART.

### Approvals

Approvals are planned for the instrument for use in hazardous areas as well as in the ship and food processing industry. You can find detailed information of the approvals for all instruments at [www.vega.com/downloads](http://www.vega.com/downloads) and "Approvals".

### Application area

VEGAPULS 64 is a radar sensor for continuous level measurement of liquids.

The small process fittings offer particular advantages in small tanks or tight mounting spaces. The very good signal focusing ensures the use in vessels with many installations such as stirrers and heating spirals.

### Your benefit

- Maintenance-free operation thanks to non-contact measuring principle
- High plant availability, because wear and maintenance free
- Exact measuring results independent of process conditions

### Function

The sensor emits a continuous radar signal through the antenna. The emitted signal is reflected by the medium and received as an echo by the antenna.

The frequency difference between the emitted and received signal is proportional to the distance and hence to the filling height. The determined filling height is converted into a respective output signal and outputted as measured value.

## Operation

The adjustment of the instrument is carried out via the optional display and adjustment module PLICSCOM.



The Bluetooth version of display and adjustment module enables a wireless connection to smartphones/tablets with iOS or Android operating system or PCs with PACTware and Bluetooth USB adapter.

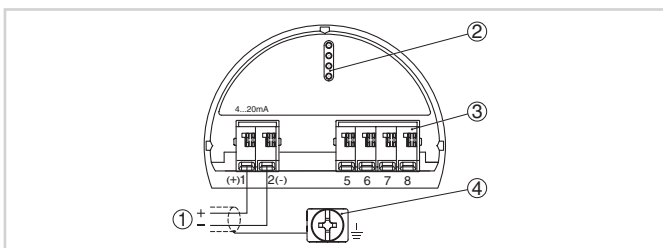


Wireless connection of the sensor to smartphones/tables via Bluetooth

- 1 Display and adjustment module
- 2 Sensor
- 3 Smartphone/Tablet

Adjustment is carried out via a free-of-charge app from the Apple App Store or the Google Play Store.  
In conjunction with a PC, the adjustment of the instrument is carried out with the adjustment software PACTware and the respective DTM.  
Further adjustment options are possible via a HART Communicator as well as manufacturer-specific programs such as AMS™ or PDM.

## Electrical connection



Electronics and terminal compartment, single chamber housing

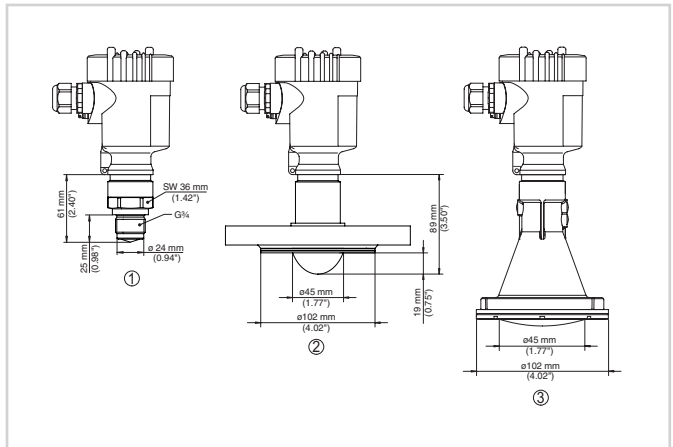
- 1 Voltage supply/Signal output
- 2 For display and adjustment module or interface adapter
- 3 For external display and adjustment unit
- 4 Ground terminal for connection of the cable screen

**MAHRLO s.r.o.**  
Ludmily Podjavorinskej 535/11  
916 01 Stará Turá

mob.: +421 908 170 313  
tel.: +421 32 776 03 62  
fax: +421 32 776 21 56

web: [www.marweb.sk](http://www.marweb.sk)  
e-mail: [slecka@mahrl0.sk](mailto:slecka@mahrl0.sk)  
e-shop: [www.marweb.sk](http://www.marweb.sk)

## Dimensions



Dimensions VEGAPULS 64

- 1 Version thread with integrated horn antenna
- 2 Version flange with encapsulated antenna system
- 3 Version plastic horn antenna

## Information

You can find further information about the VEGA product line on [www.vega.com](http://www.vega.com).  
In the download section at [www.vega.com/downloads](http://www.vega.com/downloads) you'll find operating instructions, product information, brochures, approval documents, instrument drawings and much, much more.  
There, you will also find GSD and EDD files for Profibus PA systems as well as DD and CFF files for Foundation Fieldbus systems.

## Instrument selection

With the "Finder" at [www.vega.com/finder](http://www.vega.com/finder) and "VEGA Tools" you can select the most suitable measuring principle for your application.  
You can find detailed information on the instrument versions in the "Configurator" at [www.vega.com/configurator](http://www.vega.com/configurator) and "VEGA Tools".

## Contact

You can find the VEGA agency serving your area on our homepage [www.vega.com](http://www.vega.com).