







**MAHRLO**  
www.marweb.sk

# VEGA

## Overview

Instrument type		Measuring range Accuracy	Process fitting	Process temperature	Process pressure
<b>VEGAFLEX 81</b> Liquids		Rod probe up to 6 m Coax probe up to 6 m Cable probe up to 75 m +/- 2 mm	Thread from G $\frac{3}{4}$ , $\frac{3}{4}$ NPT, flanges from DN 25, 1"	-40 ... +200 °C	-1 ... +40 bar (-100 ... +4000 kPa)
<b>VEGAFLEX 82</b> Bulk solids		Rod probe up to 6 m Cable probe up to 75 m +/- 2 mm	Thread G $\frac{3}{4}$ , $\frac{3}{4}$ NPT, flanges from DN 25, 1"	-40 ... +200 °C	-1 ... +40 bar (-100 ... +4000 kPa)
<b>VEGAFLEX 83</b> Liquids		Rod probe up to 4 m Cable probe up to 32 m +/- 2 mm	Flange from DN 25, 1", Hygienic fittings	-40 ... +150 °C	-1 ... +16 bar (-100 ... +1600 kPa)
<b>VEGAFLEX 86</b> Liquids		Rod probe up to 6 m Coax probe up to 6 m Cable probe up to 75 m +/- 2 mm	Thread G1 $\frac{1}{2}$ , 1 $\frac{1}{2}$ NPT, flanges from DN 50, 2"	-196 ... +450 °C	-1 ... +400 bar (-100 ... +40000 kPa)

Distributor Slovakia: Mahrlo [www.marweb.sk](http://www.marweb.sk)

**MAHRLO s.r.o.**  
Ľudmily Podjavorinskej 535/11  
916 01 Stará Turá

mob.: +421 908 170 313  
tel.: +421 32 776 03 62  
fax: +421 32 776 21 56

web: [www.marweb.sk](http://www.marweb.sk)  
e-mail: [slecka@mahrlo.sk](mailto:slecka@mahrlo.sk)  
e-shop: [www.marweb.sk](http://www.marweb.sk)



## VEGAFLEX 86



TDR sensor for continuous level and interface measurement of liquids

### Application area

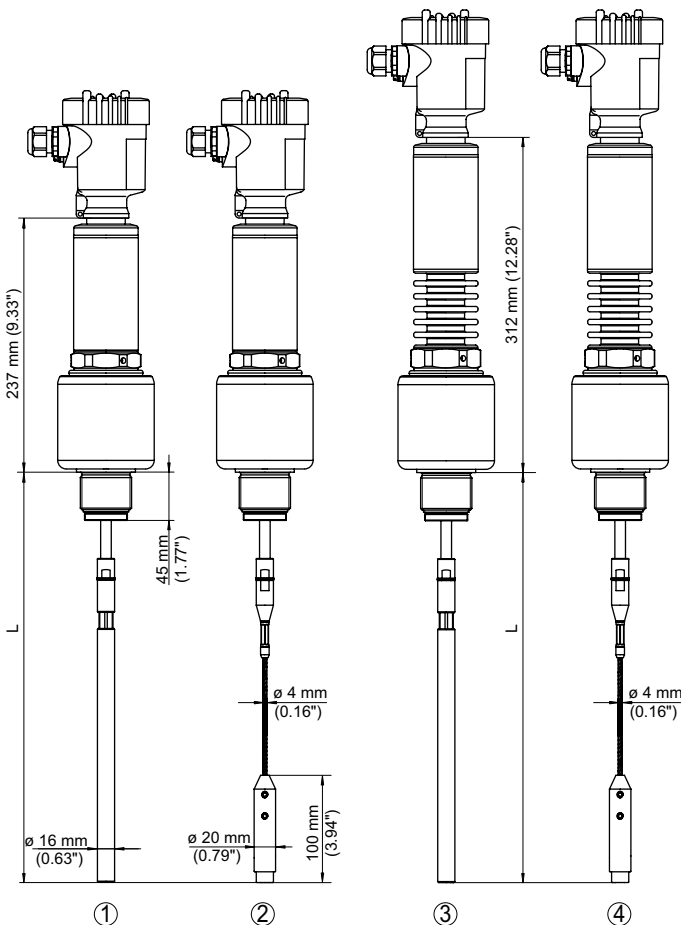
The VEGAFLEX 86 level sensor measures maintenance-free all liquids under extreme pressure and temperature conditions. Even in applications with buildup, foam generation and condensation, the sensor delivers precise and reliable measured values. In saturated steam applications, a special reference probe ensures a density-independent measurement. The VEGAFLEX 86 offers an economical level and interface measurement for your application.

### Your benefit

- The guided microwave enables a simple, time-saving and reliable setup
- Comprehensive diagnostic possibilities ensure a maintenance-free operation and hence a high plant availability
- Shortenable probes offer a simple standardization and maximum flexibility during the planning

### Technical data

Version:	exchangeable cable probe (ø 2 mm, ø 4 mm) exchangeable rod probe (ø 16 mm) coax probe (ø 42 mm)
Measuring range:	cable probe up to 75 m rod probe up to 6 m coax probe up to 6 m
Process fitting:	thread from G1½, 1½ NPT flanges from DN 50, 2"
Process temperature:	-196 ... +450 °C
Process pressure:	-1 ... +400 bar (-100 ... +40000 kPa)
Accuracy:	+/- 2 mm



- 1 Version --196 ... +280 °C – rod
- 2 Version --196 ... +280 °C – cable
- 3 Version --196 ... +450 °C – rod
- 4 Version --196 ... +450 °C – cable

