







## Overview

# VEGA

Instrument type		Measuring range Accuracy	Process fitting	Process temperature	Process pressure
<b>VEGAFLEX 81</b> Liquids		Rod probe up to 6 m Coax probe up to 6 m Cable probe up to 75 m +/- 2 mm	Thread from G $\frac{3}{4}$ , $\frac{3}{4}$ NPT, flanges from DN 25, 1"	-40 ... +200 °C	-1 ... +40 bar (-100 ... +4000 kPa)
<b>VEGAFLEX 82</b> Bulk solids		Rod probe up to 6 m Cable probe up to 75 m +/- 2 mm	Thread G $\frac{3}{4}$ , $\frac{3}{4}$ NPT, flanges from DN 25, 1"	-40 ... +200 °C	-1 ... +40 bar (-100 ... +4000 kPa)
<b>VEGAFLEX 83</b> Liquids		Rod probe up to 4 m Cable probe up to 32 m +/- 2 mm	Flange from DN 25, 1", Hygienic fittings	-40 ... +150 °C	-1 ... +16 bar (-100 ... +1600 kPa)
<b>VEGAFLEX 86</b> Liquids		Rod probe up to 6 m Coax probe up to 6 m Cable probe up to 75 m +/- 2 mm	Thread G1 $\frac{1}{2}$ , 1 $\frac{1}{2}$ NPT, flanges from DN 50, 2"	-196 ... +450 °C	-1 ... +400 bar (-100 ... +40000 kPa)



## VEGAFLEX 83



TDR sensor for continuous level and interface measurement of liquids

### Application area

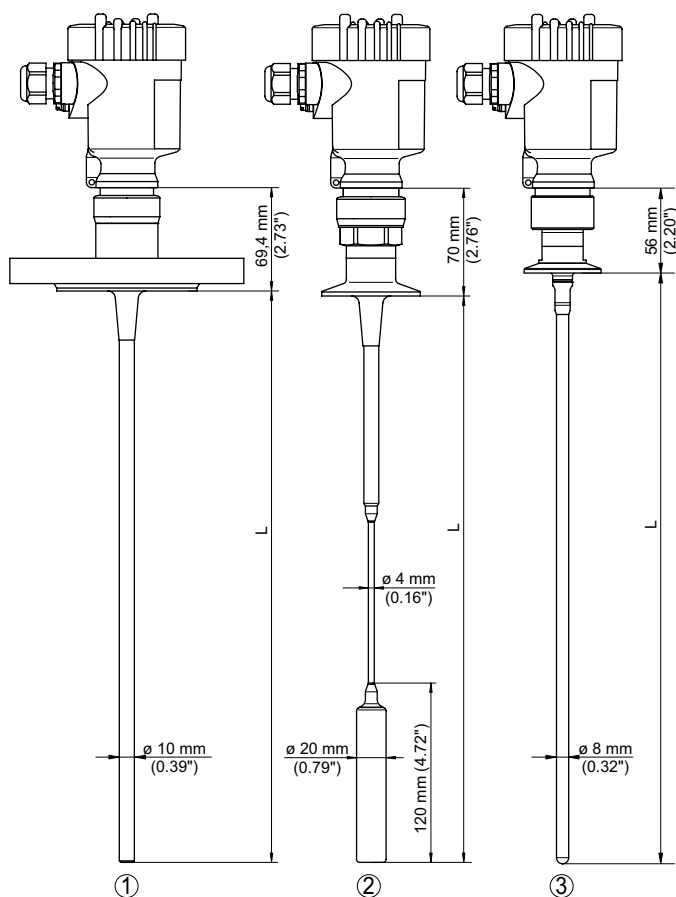
The VEGAFLEX 83 level sensor measures maintenance-free aggressive liquids or liquid media with highest hygienic requirements. Even in applications with vapour, buildup, foam generation and condensation, the sensor delivers precise and reliable measured values. The VEGAFLEX 83 is the economical and ideal solution for your application.

### Your benefit

- The guided microwave enables a simple, time-saving and reliable setup
- The gap-free hygienic design ensures simple and reliable cleanability
- The maintenance-free operation ensures the plant efficiency

### Technical data

Version:	cable probe (ø 4 mm) rod probe (ø 8 mm)
Measuring range:	cable probe up to 32 m rod probe up to 4 m
Process fitting:	flanges from DN 25, 1" hygienic fittings
Process temperature:	-40 ... +150 °C
Process pressure:	-1 ... +16 bar (-100 ... +1600 kPa)
Accuracy:	+/- 2 mm



- 1 Version / Material:  
Cable ø 4 mm with gravity weight / PFA
- 2 Version / Material:  
Rod ø 6 mm / PFA
- 3 Version / Material:  
exchange rod ø 8 mm / 1.4435  
(Basle Standard)

Distributor Slovakia: Mahrlo [www.marweb.sk](http://www.marweb.sk)

**MAHRLO s.r.o.**  
Ľudmily Podjavorinskej 535/11  
916 01 Stará Turá

mob.: +421 908 170 313  
tel.: +421 32 776 03 62  
fax: +421 32 776 21 56

web: [www.marweb.sk](http://www.marweb.sk)  
e-mail: [slecka@mahrlo.sk](mailto:slecka@mahrlo.sk)  
e-shop: [www.marweb.sk](http://www.marweb.sk)



Approval directive / Scope

- A ATEX / Europe
I IEC / World-wide

Approval

- X without
M Ship approval (GL; LRS; ABS)
W Overfill protection (WHG; VLAREM)
A ATEX 3G Ex nA IIC T6 Gc X
C ATEX II 1G, 1/2G, 2G Ex ia IIC T6
D ATEX II 1/2G, 2G Ex d ia IIC T6
E ATEX II 1/2G, 2G Ex d IIC T6
R ATEX II 1D, 1/2D, 2D IP6x T
C IEC Ex ia IIC T6
D IEC Ex d ia IIC T6
E IEC Ex d IIC T6
R IEC IP6x T tD

Version / Material

- B Cable ø 4 mm with gravity weight / PFA
E Rod ø6mm / PFA
F Exchange. rod ø 8 mm/1.4435 (acc. to Basle Standard)

Process fitting / Material

- LA Clamp 2" PN16(ø64mm) DIN32676,ISO2852 / 1.4435(BN2)
PA Clamp 2" PN16(ø64mm) DIN32676,ISO2852 / PTFE-TFM 1600
LC Clamp 3" PN16(ø91mm) DIN32676,ISO2852 / 1.4435(BN2)
PC Clamp 3" PN16(ø91mm) DIN32676,ISO2852 / PTFE-TFM 1600
LF Bolting DN40PN40 DIN11851 / 1.4435(BN2)
PF Bolting DN40PN40 DIN11851 / PTFE-TFM 1600
LG Bolting DN50PN25 DIN11851 / 1.4435(BN2)
PG Bolting DN50PN25 DIN11851 / PTFE-TFM 1600
PJ Flange DN50PN40 Form C, DIN2501 / PTFE-TFM 1600
PO Flange 2" 150lb RF, ANSI B16.5 / PTFE-TFM 1600
PQ Flange 3" 150lb RF, ANSI B16.5 / PTFE-TFM 1600

Seal / Process temperature

- X without / -40...150°C
E FFKM (Kalrez 6221) / -20...150°C
C EPDM (Freudenberg 70 EPDM 291) / -20...130°C

Electronics

- H Two-wire 4...20mA/HART®
B Four-wire 4...20mA/HART®; 90...253V AC; 50/60Hz
I Four-wire 4...20mA/HART®; 9.6...48V DC; 20...42V AC
P Profibus PA
F Foundation Fieldbus

Supplementary electronics

- X without
F PLICSMOBILE

Housing / Protection

- K Plastic / IP66/IP67
A Aluminium / IP66/IP68 (0.2 bar)
D Aluminium double chamber / IP66/IP68 (0.2 bar)
8 StSt (electropolished) 316L / IP66/IP68 (0.2bar)
W StSt double chamber / IP66/IP68 (0.2bar)
R Plastic 2-chamber / IP66/IP67

Cable entry / Connection

- M M20x1.5 / Cable gland PA black
N 1/2NPT / Blind stopper

Indicating/adjustment module PLICSCOM

- X without
A Mounted

Certificates

- M yes (e.g. FDA; EN 10204-3.1; NACE)
X no

FX83. [grid]

Probe length Cable ø4 mm / PFA isolated (500-32000 mm) per 100 mm
Cable ø4 mm / 316L (500-32000 mm) per 100 mm
Rod ø6 mm/PFA insulated (300-4000 mm) per 100 mm
Rod ø8 mm / 1.4435 (Basle standard) (300-4000 mm) per 100 mm

Distributor Slovakia: Mahrlo www.marweb.sk

MAHRLO s.r.o.
Ludmily Podjavorinskej 535/11
916 01 Stará Turá

mob.: +421 908 170 313
tel.: +421 32 776 03 62
fax: +421 32 776 21 56

web: www.marweb.sk
e-mail: slecka@mahrlo.sk
e-shop: www.marweb.sk