







MAHRLO
www.marweb.sk

VEGA

Overview

Instrument type		Measuring range Accuracy	Process fitting	Process temperature	Process pressure
VEGAFLEX 81 Liquids		Rod probe up to 6 m Coax probe up to 6 m Cable probe up to 75 m +/- 2 mm	Thread from G $\frac{3}{4}$, $\frac{3}{4}$ NPT, flanges from DN 25, 1"	-40 ... +200 °C	-1 ... +40 bar (-100 ... +4000 kPa)
VEGAFLEX 82 Bulk solids		Rod probe up to 6 m Cable probe up to 75 m +/- 2 mm	Thread G $\frac{3}{4}$, $\frac{3}{4}$ NPT, flanges from DN 25, 1"	-40 ... +200 °C	-1 ... +40 bar (-100 ... +4000 kPa)
VEGAFLEX 83 Liquids		Rod probe up to 4 m Cable probe up to 32 m +/- 2 mm	Flange from DN 25, 1", Hygienic fittings	-40 ... +150 °C	-1 ... +16 bar (-100 ... +1600 kPa)
VEGAFLEX 86 Liquids		Rod probe up to 6 m Coax probe up to 6 m Cable probe up to 75 m +/- 2 mm	Thread G1 $\frac{1}{2}$, 1 $\frac{1}{2}$ NPT, flanges from DN 50, 2"	-196 ... +450 °C	-1 ... +400 bar (-100 ... +40000 kPa)

Distributor Slovakia: Mahrlo www.marweb.sk

MAHRLO s.r.o.

Ľudmily Podjavorinskej 535/11
916 01 Stará Turá

mob.: +421 908 170 313

tel.: +421 32 776 03 62

fax: +421 32 776 21 56

web: www.marweb.sk

e-mail: slecka@mahrlo.sk

e-shop: www.marweb.sk



VEGAFLEX 82



TDR sensor for continuous level measurement of bulk solids

Application area

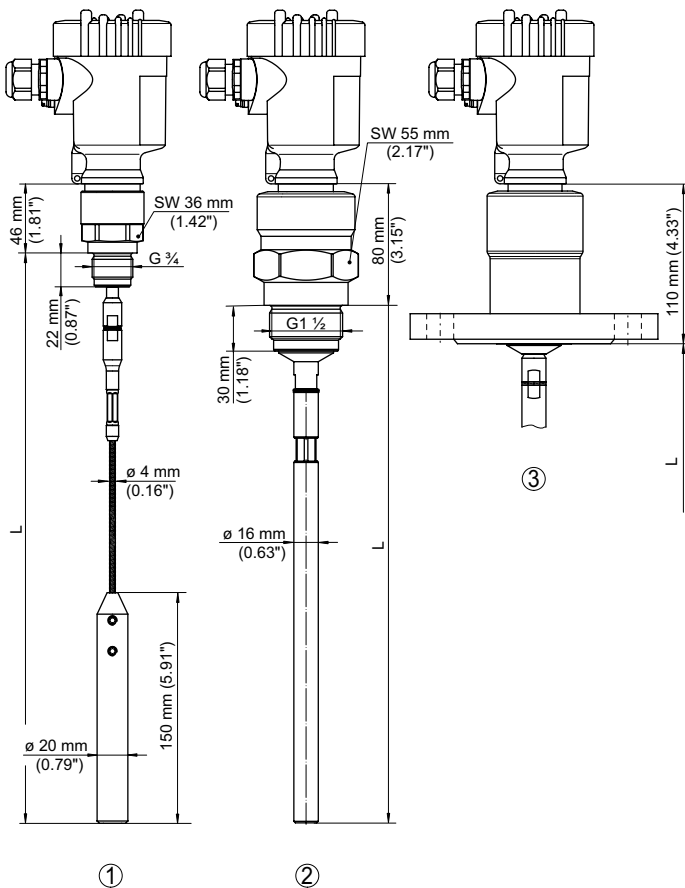
The VEGAFLEX 82 level sensor measures maintenance-free light and heavy-weight bulk solids. Even in applications with strong dust generation, condensation and buildup, the sensor delivers precise and reliable measured values. The VEGAFLEX 82 is an economical and reliable solution for your application.

Your benefit

- The factory setting simplified the setup considerably
- The guided microwave enables a simple, time-saving and reliable setup
- Shortenable probes offer a simple standardisation and highest flexibility in the planning

Technical data

Version:	exchangeable cable probe (ø 4 mm, ø 6 mm, ø 11 mm)
	exchangeable rod probe (ø 16 mm)
Measuring range:	cable probe up to 75 m rod probe up to 6 m
Process fitting:	thread from G $\frac{3}{4}$, $\frac{1}{2}$ NPT flanges from DN 25, 1"
Process temperature:	-40 ... +200 °C
Process pressure:	-1 ... +40 bar (-100 ... +4000 kPa)
Accuracy:	+/- 2 mm



- 1 Cable version
- 2 Rod version
- 3 Flange version

Distributor Slovakia: Mahrlo www.marweb.sk

MAHRLO s.r.o.
L'udmily Podjavorinskej 535/11
916 01 Stará Turá

mob.: +421 908 170 313
tel.: +421 32 776 03 62
fax: +421 32 776 21 56

web: www.marweb.sk
e-mail: slecka@mahrlo.sk
e-shop: www.marweb.sk



Approval directive / Scope

- A** ATEX / Europe
- I** IEC / World-wide

Approval

- X** without
- M** Ship approval (GL; LRS; ABS)
- A** ATEX 3G Ex nA IIC T6 Gc X
- C** ATEX II 1G, 1/2G, 2G Ex ia IIC T6
- D** ATEX II 1/2G, 2G Ex d ia IIC T6
- E** ATEX II 1/2G, 2G Ex d IIC T6
- R** ATEX II 1D, 1/2D, 2D IP6x T
- C** IEC Ex ia IIC T6
- D** IEC Ex d ia IIC T6
- E** IEC Ex d IIC T6
- R** IEC IP6x T tD

Version / Material

- A** Exchangeable cable ø4 mm w. gravity weight / 316
- F** Exchangeable cable ø 6mm w. gravity weight / 316
- H** Exchangeable rod ø16 mm / 316L

Process fitting / Material

- TB** Thread G $\frac{3}{4}$ (DIN 3852-A) PN40 / 316L
- TD** Thread $\frac{3}{4}$ NPT (ASME B1.20.1) PN40 / 316L
- TF** Thread G1 (DIN 3852-A) PN40 / 316L
- TG** Thread 1NPT (ASME B1.20.1) PN40 / 316L
- TI** Thread G1 $\frac{1}{2}$ (DIN 3852-A) PN40 / 316L
- TH** Thread 1 $\frac{1}{2}$ NPT (ASME B1.20.1) PN40 / 316L
- DD** Flange DN50PN40 Form C, DIN2501 / 316L
- DF** Flange DN80PN40 Form C, DIN2501 / 316L
- DM** Flange DN100PN16 Form C, DIN2501 / 316L
- AB** Flange 2" 150lb RF, ANSI B16.5 / 316L
- AD** Flange 3" 150lb RF, ANSI B16.5 / 316L

Seal / Process temperature

- F** FKM (SHS FPM 70C3 GLT) / -40...150°C
- K** FFKM (Kalrez 6375) / -20...200°C
- H** EPDM (A+P 75.5/KW75F) / -40...150°C

Electronics

- H** Two-wire 4...20mA/HART®
- B** Four-wire 4...20mA/HART®; 90...253V AC; 50/60Hz
- I** Four-wire 4...20mA/HART®; 9.6...48V DC; 20...42V AC

Supplementary electronics

- X** without
- F** PLICSMOBILE

Housing / Protection

- K** Plastic / IP66/IP67
- A** Aluminium / IP66/IP68 (0.2 bar)
- D** Aluminium double chamber / IP66/IP68 (0.2 bar)
- 8** StSt (electropolished) 316L / IP66/IP68 (0.2bar)
- W** StSt double chamber / IP66/IP68 (0.2bar)
- R** Plastic 2-chamber / IP66/IP67

Cable entry / Connection

- M** M20x1.5 / Cable gland PA black
- N** $\frac{1}{2}$ NPT / Blind stopper

Indicating/adjustment module PLICSCOM

- X** without
- A** Mounted

Certificates

- M** yes (e.g. FDA; EN 10204-3.1; NACE)
- X** no

FX82.																						
--------------	--	--	--	--	--	--	--	--	--	--	--	--	--	--	--	--	--	--	--	--	--	--

Probe length

- Cable ø4 mm/316 (500-75000 mm) per 100 mm
- Cable ø4 mm/316 (500-75000 mm) per 100 mm
- Cable ø4 mm/316 (500-75000 mm) per 100 mm
- Cable ø12 mm/316L (300-4000 mm) per 100 mm

Distributor Slovakia: Mahrlo www.marweb.sk

MAHRLO s.r.o.

Ľudmily Podjavorinskej 535/11
916 01 Stará Turá

mob.: +421 908 170 313
tel.: +421 32 776 03 62
fax: +421 32 776 21 56

web: www.marweb.sk
e-mail: slecka@mahrlo.sk
e-shop: www.marweb.sk