
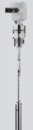






MAHRLO
www.marweb.sk

VEGA

Overview

| Instrument type | | Measuring range Accuracy | Process fitting | Process temperature | Process pressure |
|-----------------------------------|--|---|---|---------------------|--|
| VEGAFLEX 81 Liquids |  | Rod probe up to 6 m Coax probe up to 6 m Cable probe up to 75 m +/- 2 mm | Thread from G $\frac{3}{4}$, $\frac{3}{4}$ NPT, flanges from DN 25, 1" | -40 ... +200 °C | -1 ... +40 bar (-100 ... +4000 kPa) |
| VEGAFLEX 82 Bulk solids |  | Rod probe up to 6 m Cable probe up to 75 m +/- 2 mm | Thread G $\frac{3}{4}$, $\frac{3}{4}$ NPT, flanges from DN 25, 1" | -40 ... +200 °C | -1 ... +40 bar (-100 ... +4000 kPa) |
| VEGAFLEX 83 Liquids |  | Rod probe up to 4 m Cable probe up to 32 m +/- 2 mm | Flange from DN 25, 1", Hygienic fittings | -40 ... +150 °C | -1 ... +16 bar (-100 ... +1600 kPa) |
| VEGAFLEX 86 Liquids |  | Rod probe up to 6 m Coax probe up to 6 m Cable probe up to 75 m +/- 2 mm | Thread G1 $\frac{1}{2}$, 1 $\frac{1}{2}$ NPT, flanges from DN 50, 2" | -196 ... +450 °C | -1 ... +400 bar (-100 ... +40000 kPa) |

Distributor Slovakia: Mahrlo www.marweb.sk

MAHRLO s.r.o.
Ľudmily Podjavorinskej 535/11
916 01 Stará Turá

mob.: +421 908 170 313
tel.: +421 32 776 03 62
fax: +421 32 776 21 56

web: www.marweb.sk
e-mail: slecka@mahrlo.sk
e-shop: www.marweb.sk



VEGAFLEX 81



TDR sensor for continuous level and interface measurement of liquids

Application area

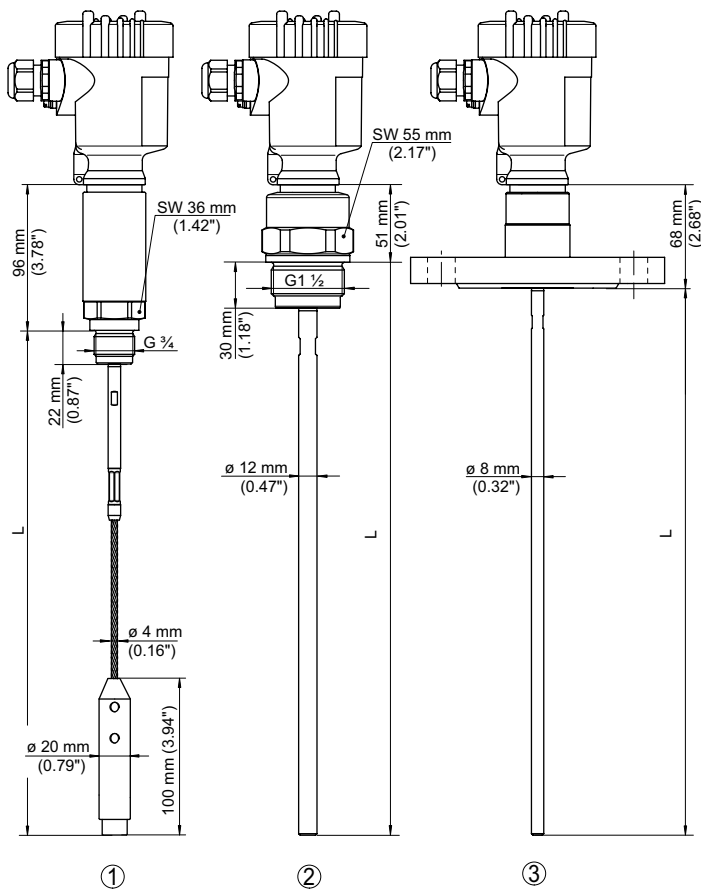
The VEGAFLEX 81 level sensor measures maintenance-free all kind of liquids. Even in applications with vapour, buildup, foam generation and condensation, the sensor delivers precise and reliable measured values. The VEGAFLEX 81 is the economical solution for various level and interface measurements.

Your benefit

- The guided microwave enables a simple, time-saving and reliable setup
- Comprehensive diagnostic possibilities ensure a maintenance-free operation and hence a high plant availability
- Shortenable probes offer a simple standardisation and highest flexibility in the planning

Technical data

| | |
|----------------------|--|
| Version: | exchangeable cable probe (ø 2 mm, ø 4 mm) exchangeable rod probe (ø 8 mm) coax probe (ø 21.3, mm, ø 42 mm) |
| Measuring range: | cable probe up to 75 m rod probe up to 6 m coax probe up to 6 m |
| Process fitting: | thread from G $\frac{3}{4}$, $\frac{3}{4}$ NPT flanges from DN 25, 1" |
| Process temperature: | -40 ... +200 °C |
| Process pressure: | -1 ... +40 bar (-100 ... +4000 kPa) |
| Accuracy: | +/- 2 mm |



- 1 Cable version
- 2 Rod version
- 3 Flange version



Approval directive / Scope

- A** ATEX / Europe
- I** IEC / World-wide

Approval

- X** without
- M** Ship approval (GL; LRS; ABS)
- W** Overfill protection (WHG; VLAREM)
- A** ATEX 3G Ex nA IIC T6 Gc X
- C** ATEX II 1G, 1/2G, 2G Ex ia IIC T6
- D** ATEX II 1/2G, 2G Ex d ia IIC T6
- E** ATEX II 1/2G, 2G Ex d IIC T6
- R** ATEX II 1D, 1/2D, 2D IP6x T
- C** IEC Ex ia IIC T6
- D** IEC Ex d ia IIC T6
- E** IEC Ex d IIC T6
- R** IEC IP6x T tD

Version / Material

- B** Exchangeable cable ø 2 mm with gravity weight / 316
- A** Exchangeable cable ø4 mm w. gravity weight / 316
- E** Exchangeable rod ø8 mm / 316L
- F** Exchangeable rod ø12 mm / 316L
- L** Coax version ø21.3 mm with multiple hole / 316L
- P** Coax version ø42.2 mm w. multiple hole / 316L

Process fitting / Material

- TA** Thread G¾ (DIN 3852-A) PN6 / 316L
- TS** Thread ¾NPT (ASME B1.20.1) PN6 / 316L
- TB** Thread G¾ (DIN 3852-A) PN40 / 316L
- TC** Thread G¾A (DIN 3852-A) PN40 / 2.4602(C22)
- TI** Thread G1½ (DIN 3852-A) PN40 / 316L
- DA** Flange DN25PN40 Form C, DIN2501 / 316L
- DD** Flange DN50PN40 Form C, DIN2501 / 316L
- DF** Flange DN80PN40 Form C, DIN2501 / 316L
- AK** Flange 1" 150lb RF, ANSI B16.5 / 316L
- AB** Flange 2" 150lb RF, ANSI B16.5 / 316L

Seal / Second line of defense / Process temperature

- A** FKM (SHS FPM 70C3 GLT) / without / -40...80°C
- F** FKM (SHS FPM 70C3 GLT) / without / -40...150°C
- L** FFKM (Kalrez 6375) / with / -20...200°C
- H** EPDM (A+P 75.5/KW75F) / without / -40...150°C
- J** w. borosilicate glass leadthrough / with / -60...150°C

Electronics

- H** Two-wire 4...20mA/HART®
- B** Four-wire 4...20mA/HART®; 90...253V AC; 50/60Hz
- I** Four-wire 4...20mA/HART®; 9.6...48V DC; 20...42V AC
- P** Profibus PA
- F** Foundation Fieldbus

Supplementary electronics

- X** without
- F** PLICSMOBILE

Housing / Protection

- K** Plastic / IP66/IP67
- A** Aluminium / IP66/IP68 (0.2 bar)
- D** Aluminium double chamber / IP66/IP68 (0.2 bar)
- 8** StSt (electropolished) 316L / IP66/IP68 (0.2bar)
- W** StSt double chamber / IP66/IP68 (0.2bar)
- R** Plastic 2-chamber / IP66/IP67

Cable entry / Connection

- M** M20x1.5 / Cable gland PA black
- N** ½NPT / Blind stopper

Indicating/adjustment module PLICSCOM

- X** without
- A** Mounted

Certificates

- M** yes (e.g. FDA; EN 10204-3.1; NACE)
- X** no

| | | | | | | | | | | | | | | | | | | | | | |
|-------|--|--|--|--|--|--|--|--|--|--|--|--|--|--|--|--|--|--|--|--|--|
| FX81. | | | | | | | | | | | | | | | | | | | | | |
|-------|--|--|--|--|--|--|--|--|--|--|--|--|--|--|--|--|--|--|--|--|--|

Probe length

- Cable ø4 mm/316 (500-75000 mm) per 100 mm
- Rod ø8 mm/316L (300-6000 mm) per 100 mm
- Rod ø12 mm/316L (300-4000 mm) per 100 mm
- Coax ø21.3mm/316L (300-6000 mm) per 100 mm
- Coax Ø42.2mm/316L (300-6000 mm) per 100 mm

Distributor Slovakia: Mahrlo www.marweb.sk

MAHRLO s.r.o.

Ludmily Podjavorinskej 535/11
916 01 Stará Turá

mob.: **+421 908 170 313**

tel.: **+421 32 776 03 62**

fax: **+421 32 776 21 56**

web: www.marweb.sk

e-mail: slecka@mahrlo.sk

e-shop: www.marweb.sk